

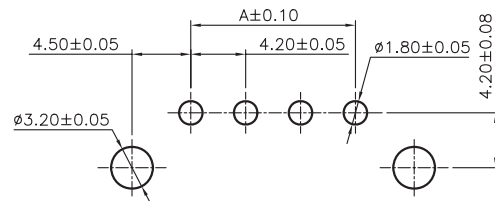
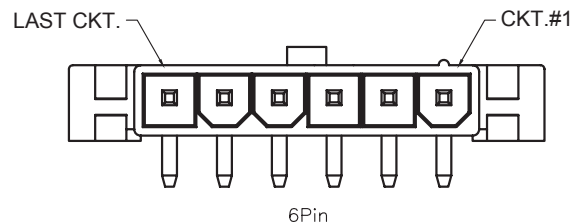
1

2

3

4

5



#### TECHNICAL CHARACTERISTICS

MATERIAL  
 INSULATOR: NYLON 66  
 FLAMABILITY RATING: UL94-V0  
 COLOR: WHITE  
 CONTACT MATERIAL: COPPER ALLOY  
 CONTACT TYPE: STAMPED  
 CONTACT PLATING: TIN  
 QUALITY CLASS: 25 MATING CYCLES  
 PITCH: 4.20MM

ENVIRONMENTAL  
 OPERATING TEMPERATURE: -40 UP TO 105°C  
 COMPLIANCE: LEAD FREE AND ROHS

ELECTRICAL  
 CURRENT RATING: 6 TO 9A

NB CIRCUITS	2-3	4-5
AMPERES	9	8

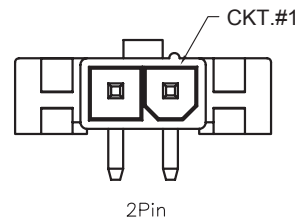
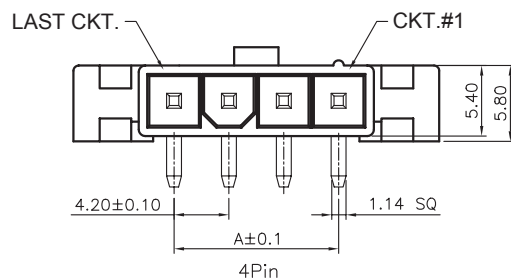
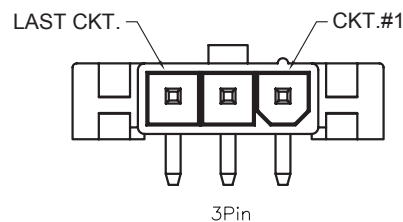
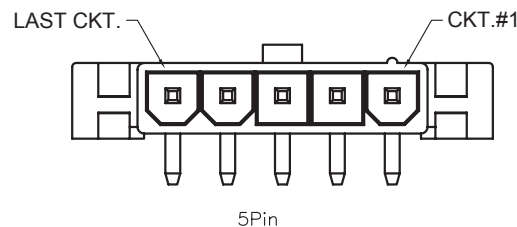
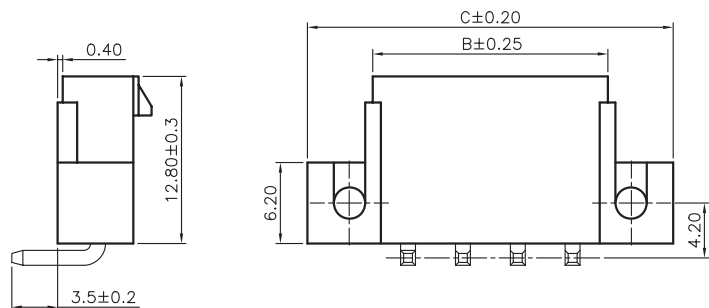
WORKING VOLTAGE: 600V AC  
 INSULATOR RESISTANCE: >1000 MOHM  
 DIELECTRIC WITHSTANDING VOLTAGE: 1500V AC/MN  
 CONTACT RESISTANCE: 10 mOHM MAX

STANDARD  
 CERTIFIED: E323964

SOLDERING  
 JEDEC LEAD FREE WAVE SOLDERING PROCESS

PACKAGING  
 TRAY

DIMENSION  
 A = 4.20 x (NB. PIN - 1)  
 B = 4.20 x (NB. PIN - 1) + 5.40  
 C = 4.20 x (NB. PIN - 1) + 15.40



RoHS Compliant

PROJECTION:



GENERAL TOLERANCE

.X = +/- 0.2

.XX = +/- 0.15



APPROVAL: BBu

UNIT: MM

SCALE:

SHEET: 1/3

DRAW: MIKE

DESCRIPTION: 4.20MM MALE SINGLE ROW ANGLED HEADER WITH  
 MOUNTING FLANGES FOR SCREW-IN RETENTION

WERI PART NO: 649 0xx 110 22

SIZE

A4

J	01-JUL-15	PINNING	AK
I	08-SEP-14	VALUES+DIM.	AS
H	13-FEB-14	CORRECTIONS	QL
REV	DATE	FILE	BY

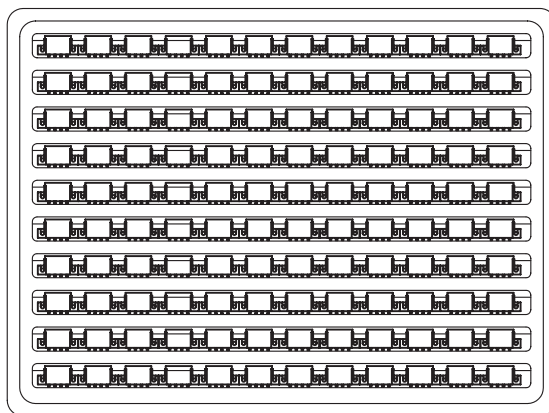
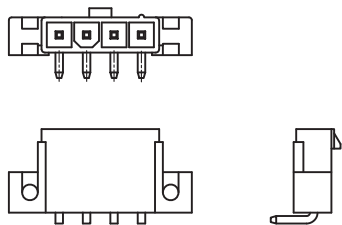
1

2

3

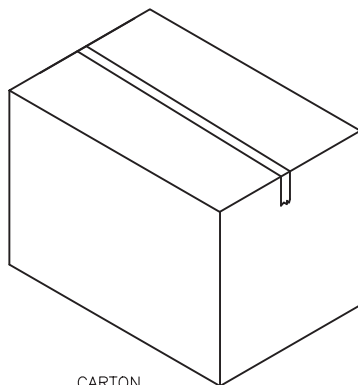
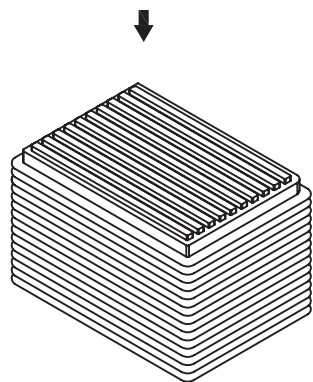
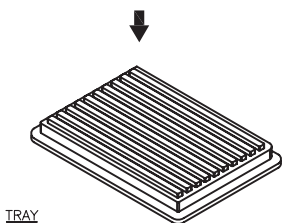
4

5



Note:  
 1.Dimension:  
 Tray Size:354(L)x260(W)x20(H) (mm)  
 Carton Size:360(L)x270(W)x300(H) (mm)  
 2.Quantity:  
 25 Tray/Carton

Pin.	Pcs/Tray	Pcs/Carton
2	160	4000
3	130	3250
4	110	2750
5	90	2250
6	80	2000



RoHS Compliant			
G			
F			
E			
D			
C			
B			
A			
REV	DATE	FILE	BY

PROJECTION:

APPROVAL: BBu

GENERAL TOLERANCE  
 .X = +/- 0.2  
 .XX = +/- 0.15

UNIT: MM

SCALE:

SHEET: 2/3

DRAW: PEARL



DESCRIPTION: 4.20MM MALE SINGLE ROW ANGLED HEADER WITH MOUNTING FLANGES FOR SCREW-IN RETENTION

WERI PART NO: 649 0xx 110 22\_TPK

SIZE  
**A4**

A

B

C

D

1

2

3

4

5

## Cautions and Warnings:

This electronic component is designed and developed with the intention for use in general electronics equipments.

Before incorporating the components into any equipments in the field such as aerospace, aviation, nuclear control, submarine, transportation, (automotive control, train control, ship control), transportation signal, disaster prevention, medical, public information network etc. where higher safety and reliability are especially required or if there is possibility of direct damage or injury to human body, Würth Elektronik must be asked for a written approval.

In addition, even electronic component in general electronic equipments, when used in electrical circuits that require high safety, reliability functions or performance, the sufficient reliability evaluation-check for the safety must be performed before by the user before usage.

A

B

C

RoHS Compliant

G				PROJECTION: 	GENERAL TOLERANCE .X = +/- 0.2 .XX = +/- 0.15		
F							
E							
D							
C				APPROVAL: JC	UNIT: MM	DESCRIPTION: DISCLAIMER	SIZE <b>A4</b>
B					SCALE:		
A	10-SEP-14	PDF	QL		SHEET: 3/3	WERI PART NO: DISCLAIMER	
REV	DATE	FILE	BY		DRAW: QL		

D