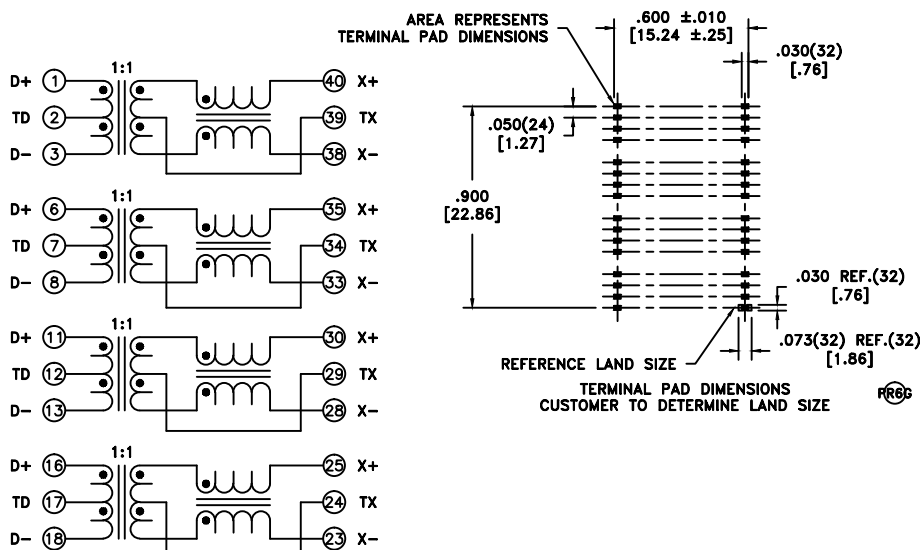
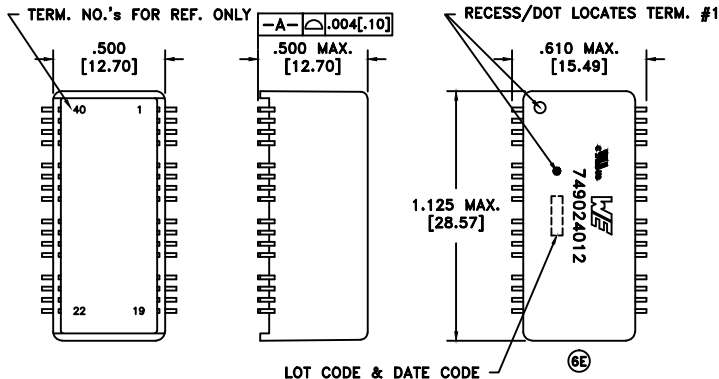


CUSTOMER TERMINAL	RoHS	LEAD(Pb)-FREE
Sn100%	Yes	Yes

more than you expect



ELECTRICAL SPECIFICATIONS @ 25°C unless otherwise noted:

PARAMETER	TEST CONDITIONS	VALUE
INDUCTANCE	23-25 100kHz, 100mVAC, 8mADC, Lp	350uH min.
INDUCTANCE	28-30 100kHz, 100mVAC, 8mADC, Lp	350uH min.
INDUCTANCE	33-35 100kHz, 100mVAC, 8mADC, Lp	350uH min.
INDUCTANCE	38-40 100kHz, 100mVAC, 8mADC, Lp	350uH min.
DIELECTRIC	1-40 tie(1 thru 18, 23 thru 40), 4800Vrms, 1 second	4000Vrms, 1 minute
TURNS RATIO	Per Schematic	1:1, ±2%
INSERTION LOSS	1M - 100MHz	-1.3dB max.
RETURN LOSS	500k - 30MHz	-14dB min.
RETURN LOSS	30M - 45MHz	-11dB min.
RETURN LOSS	45M - 60MHz	-9dB min.
RETURN LOSS	60M - 80MHz	-8dB min.
CROSSTALK	1M - 100MHz	-35dB min.
DCMR	1M - 100MHz	-30dB min.
CMRR	1M - 100MHz	-30dB min.

GENERAL SPECIFICATIONS:

OPERATING TEMPERATURE RANGE: -40°C to +85°C.

COPLANARITY: All 32 terminals must lie on a plane within .004 [.10] of Surface A after lead tinning.

Designed to comply with the following requirements as defined by IEC60950-1, EN60950-1, UL60950-1/CSA60950-1 and AS/NZS60950.1:
- Reinforced insulation for a secondary circuit at a working voltage of 250Vrms.

Designed to comply with 12mm min. creepage and 5 mm min. clearance as defined by IEC60601-1; 2006.
- Provide two means of patient protection up to a working voltage of 250Vrms.

AGENCY NUMBER	
UL60950-1	E205930
CSA60950-1 (Via CUL)	E205930

REV.	DATE	Packaging Specifications	CONVENTION PLACEMENT
PR6G	4/16	Method: Tape & Reel	
6F	10/15	PKG-0464	
6E	2/13	www.we-online.com/midcom	
6D	1/13	SEE REVISION SHEET FOR REVISION LEVEL	

Tolerances unless otherwise specified:
Angles: ±1° Decimals: ±.005 [.13]
Fractions: ±1/64 Footprint: ±.005 [.13]
This drawing is dual dimensioned. Dimensions in brackets are in millimeters.

DRAWING TITLE
TRANSFORMER

eiSos p/n: 749024012



PART NO.
749024012
SPECIFICATION SHEET 1 OF 1