

MLCCs – High Frequency

Designed for high frequency applications

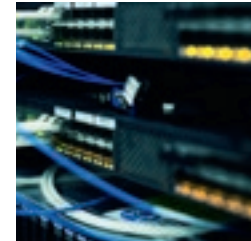
- NPO ceramic for high temperature stability, low equivalent series resistance and high Q characteristics
- Inner electrode consists of an exceeding conductive material



Applications



Power amplifier



Telecommunication

MLCCs – Soft Termination

Better absorption of mechanical stress

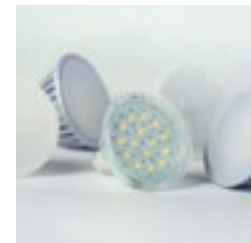
- Terminations with an additional conductive polymer layer
- Minimizes the risk of internal cracks
- More stable and robust performance during PCB handling as well as in the final application



Applications

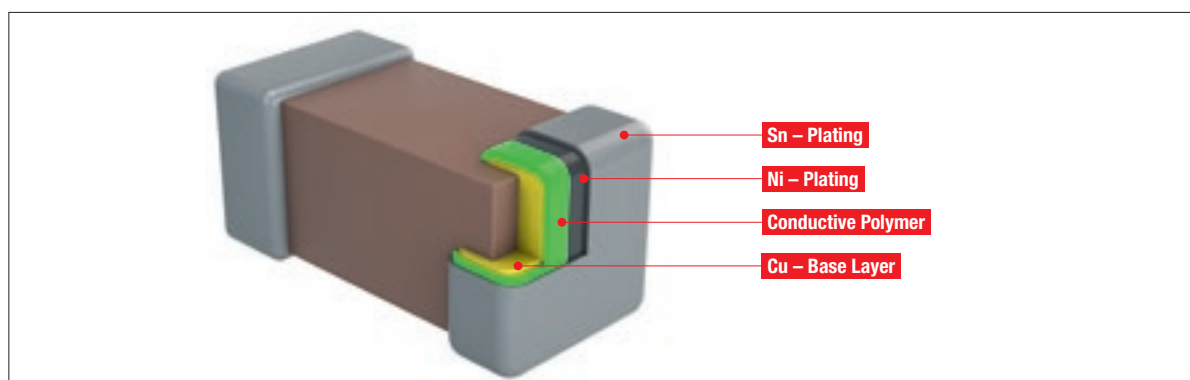


Power supply



Lighting applications

Inner structure



Board Flex up to 5 mm

