

Product Portfolio

WCAP-ASLU with slim diameter of 3 mm

- Low leakage current series of V-Chip SMT Aluminum Electrolytic Capacitors
- Products with a diameter of 3 mm are now available



Applications



DC/DC converter

H-Chip Aluminum Polymer Capacitors

Suitable alternative for Tantalum Capacitors & MLCCs

- Aluminum Polymer technology
- Low profile surface mount (SMT) package
- Extremely low ESR and ESL
- Suitable for high ripple currents



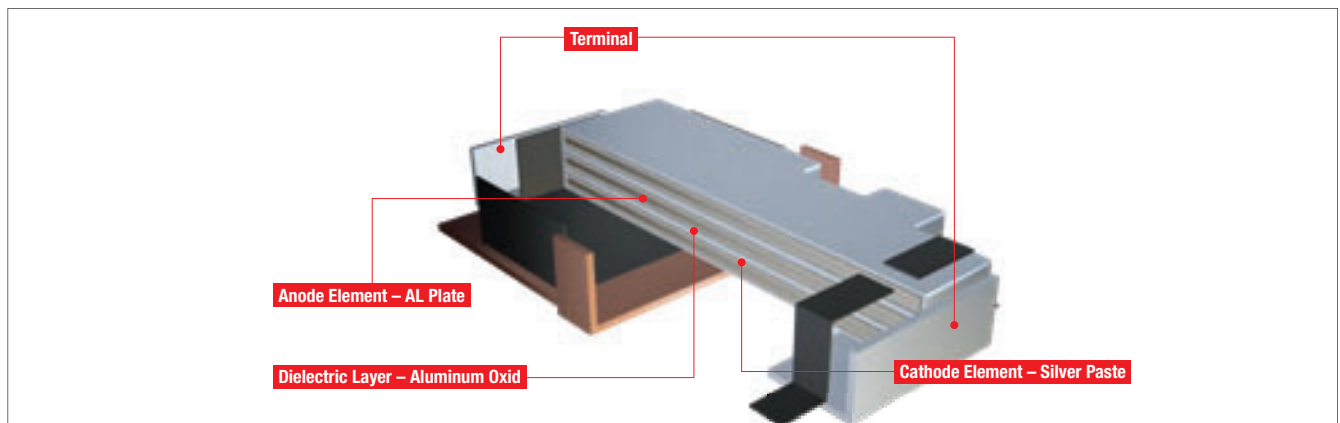
Applications



Servers

- Input and output capacitors for SMPS
- Noise suppression
- Communication infrastructures
- Servers
- Mainboards

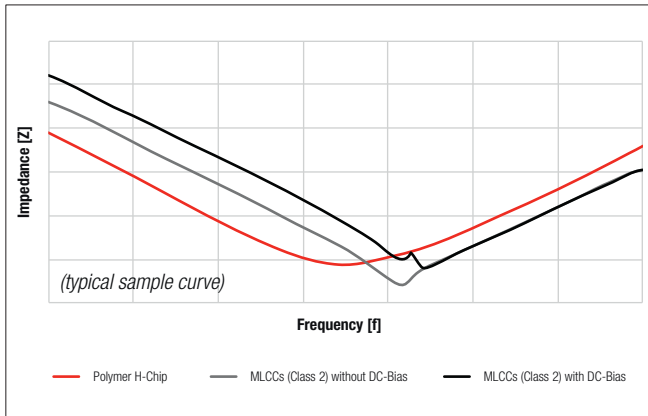
Inner Structure



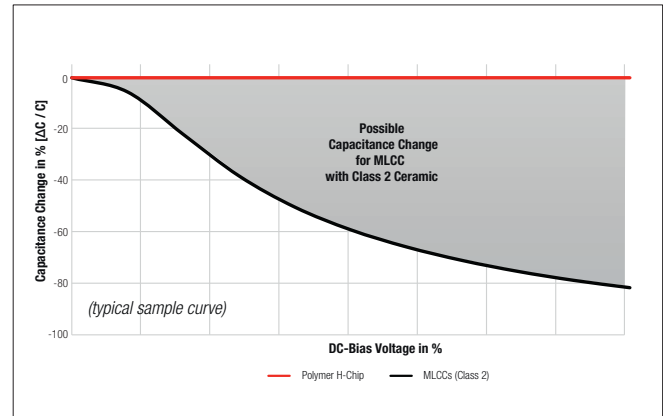
Learn more about our H-Chip Aluminum Polymer Capacitor:
https://youtu.be/Cd-Yu_UAa78



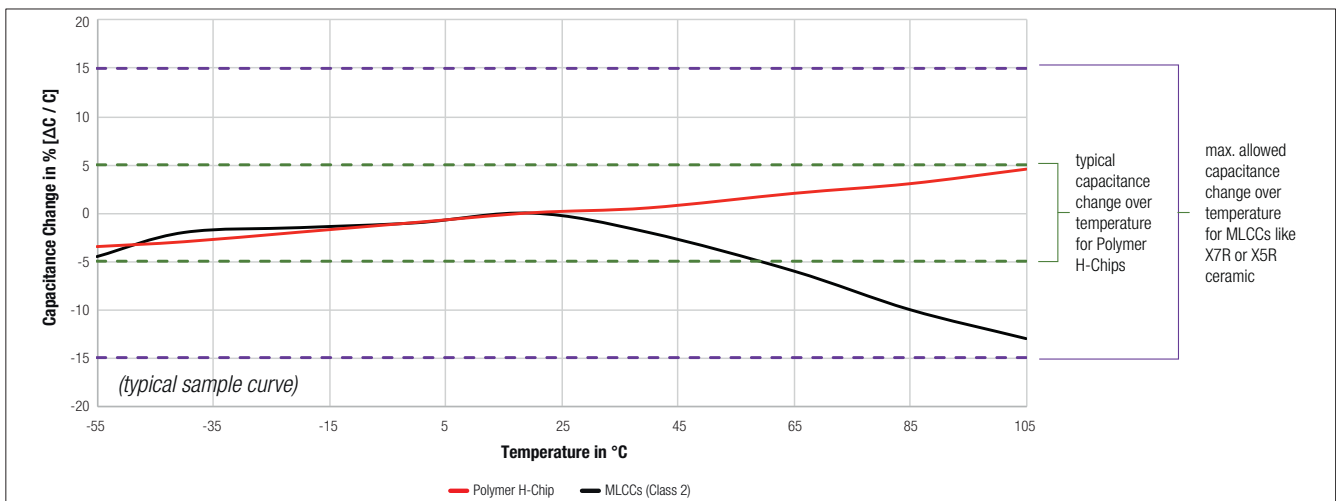
Impedance vs. Frequency



Capacitance Change vs. DC-Bias Voltage



Capacitance Change vs. Temperature



Save space on your PCB

24 x MLCCs

- P/N: 885012107006 with 47 μF
- 24 x 47 μF = 1128 μF
- $V_R = 6.3 \text{ V(DC)}$
- Size 0805 \rightarrow 2 mm x 1.5 mm
- **C @ 6 V(DC) = 216 μF** due to DC - Bias
- **A = 255 mm²**



1 x H-Chip Aluminum Polymer Capacitors

- P/N: 875015119006 with 220 μF
- 1 x 220 μF = 220 μF
- $V_R = 6.3 \text{ V(DC)}$
- Size 2917 \rightarrow 7.3 mm x 4.3 mm
- **C @ 6 V(DC) = 220 μF**
- **A = 44 mm²**